



## CPT

### Cellular and 3G Puck Antenna

#### Features

- Low Profile Puck Antenna
- Supports Cellular & 3G frequencies
- Fully Waterproof when mounted
- Groundplane Independent

#### Specifications

Radiating element	1/2 wave Element
Frequency range	824-896/1710-2170 MHz
Peak gain	2-3 dBi
Polarisation	Linear
VSWR	<2.5:1
Power rating	10W
Cable / Connector	SMA-Male
Dimensions	102 x 33.5mm (dxh)

#### Ordering Options

FCPT35167-SM-1K	CPT with 1M RG-174 and SMA-Male
FCPT35167-FM-2K	CPT with 2M RG-174 and FME-Female
FCPT35167-SM-2K	CPT with 2M RG-174 and SMA-Male

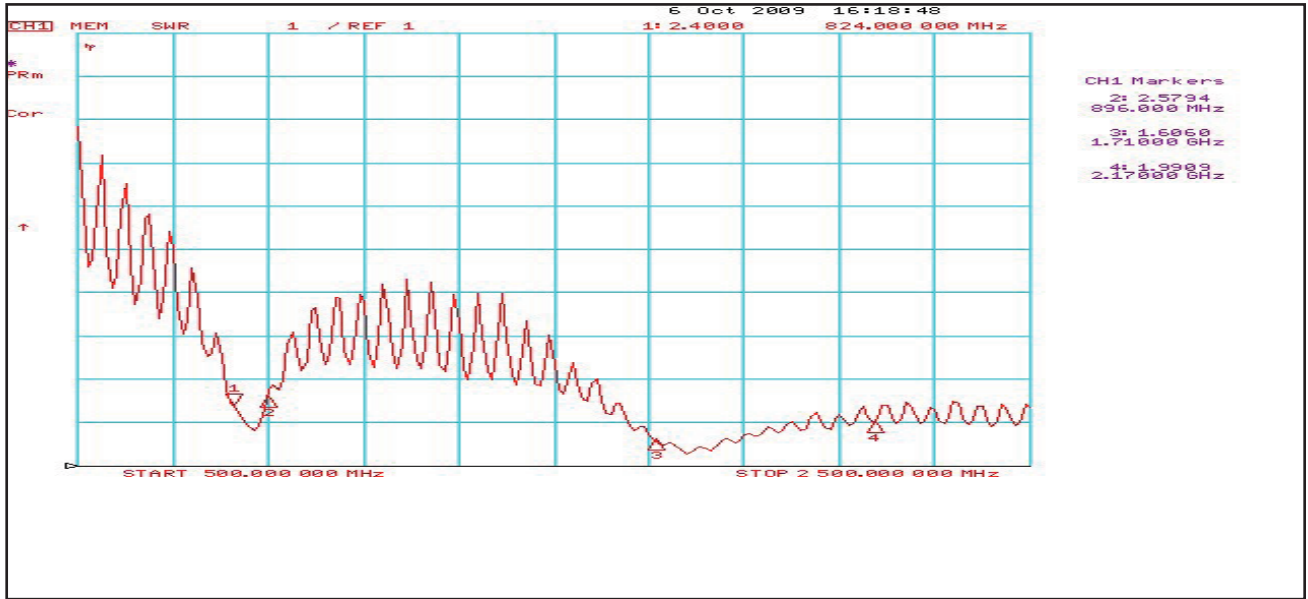
Specifications subject to change without notice.

5 Little Balmer  
Buckingham Industrial Park  
Buckingham  
MK18 1TF  
UK

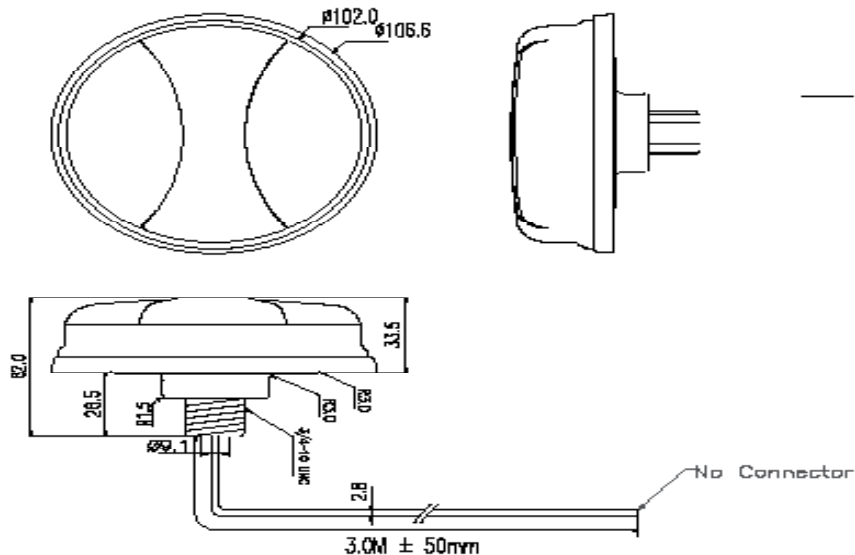
Tel: +44 (0)1280 824055  
Fax: +44 (0)1280 817179  
Email: [sales@ead-ltd.com](mailto:sales@ead-ltd.com)  
Web: [www.ead-ltd.com](http://www.ead-ltd.com)

## CPT | Cellular and 3G Puck Antenna

### Return Loss



### Outline Drawing



Specifications subject to change without notice.

5 Little Balmer  
Buckingham Industrial Park  
Buckingham  
MK18 1TF  
UK

Tel: +44 (0)1280 824055  
Fax: +44 (0)1280 817179  
Email: sales@ead-ltd.com  
Web: www.ead-ltd.com