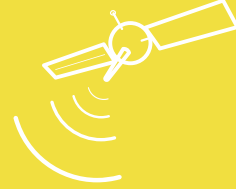




Wellshow
Always Innovation



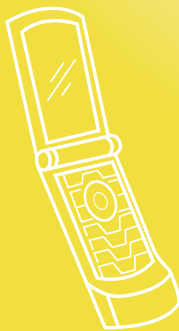
047



PRODUCT SPECIFICATION

I-PEX MHF Receptacle

P/N 20279-001E-01



RF Connector, RF Cable & Antenna Manufacturer

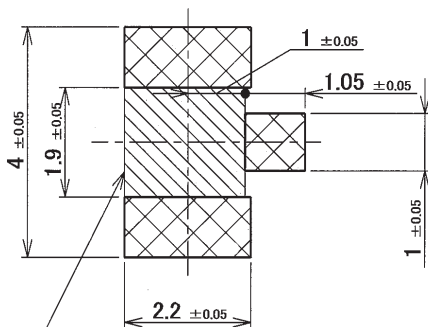
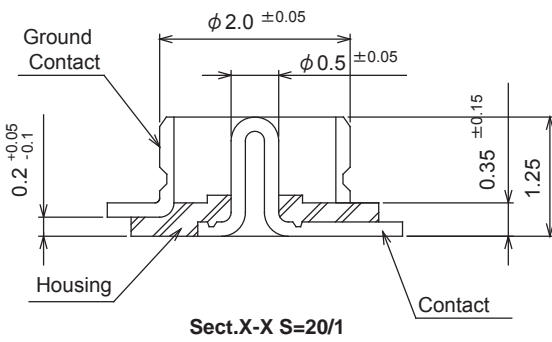
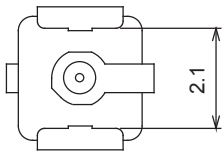
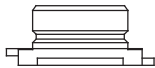
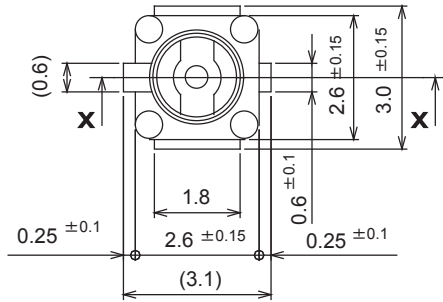
E-mail: sales@wellshow.com.tw
Tel: +886-2-24239376 Fax: +886-2-24260387
9F., No.181, Nanrong Rd., Ren-ai Dist., Keelung City 200, Taiwan (R.O.C.)



I-PEX MHF Receptacle

P/N 20279-001E-01

Structure Figure



Cut out prohibition area

RECOMMENDED FOOTPRINT PATTERN



Major Application

- Wireless LAN Antenna
- Cellular Phone
- Note Book Computer
- Game Equipment
- Digital Appliance
- Access Point

Applicable Plug

Mating height 2.5mm MAX. at IPEX MHF Plug
 P/N 20278-1*2R-**
 P/N 20351-1*2R-37

Mating height 2.0mm MAX. at IPEX MHF2 Plug
 P/N 20311-011R-08

Compatible to Hirose U.FL-LP-40/68/66/88

Properties

Material	1. Housing: LCP, UL94V-0, white 2. Contact: brass Au 0.1µm Min. over Ni 1.27µm Min. 3. Ground contact: phosphor bronze Au 0.05µm Min. over Ni 1.27µm Min.
Coplanarity	0.1mm MAX.
Packing	emboss tape
This is 'Pb-free' connector. RoHs compliant.	