

## NX8045GB

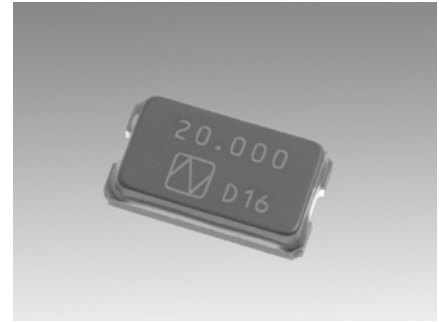
For OA / AV

### ■ Features

A small surface-mount type crystal unit, ideal for OA (office automation), AV (audiovisual) and Accessories for a car, which need performance for wide temperature range.

Compatible with frequencies starting from 4 MHz. (8.0 × 4.5 × 1.8 mm typ.)

- Excellent electrical performance, ideal for OA and AV applications.
- Excellent environmental performance, including heat and shock resistance.
- Meets the requirements for re-flow profiling using lead-free solder.



**RoHS Compliant**  
Directive 2011/65/EU

### ■ Specifications

Item	Model	NX8045GB
Nominal frequency		4 to 40 MHz
Overtone order		Fundamental
Frequency tolerance (25 ±3 °C)		±30 × 10 <sup>-6</sup>
Frequency versus temperature characteristics (with reference to +25 °C)		±50 × 10 <sup>-6</sup>
Operating temperature range		-40 to +85 °C
Storage temperature range		-40 to +125 °C
Equivalent series resistance		Refer to *1
Level of drive		50 μW (Max. 500 μW)
Load capacitance		8 pF

The above specifications are standard for this NDK product.

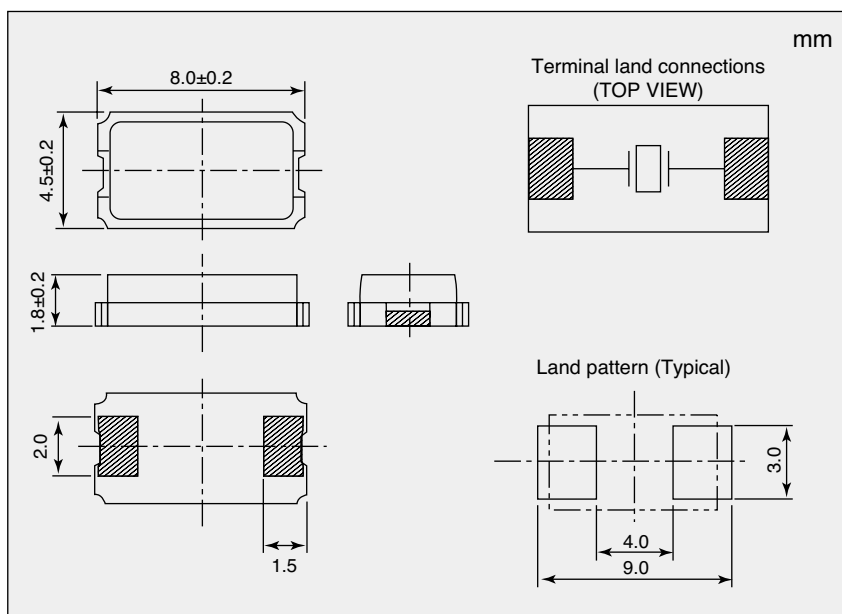
### ■ How to Specify an Order

When ordering our products, specify them with an "Ordering Code" that consists of the following :

[Model name] - [Frequency (Max : 9 digits)] M - [Number for specifying an order]      Example NX8045GB-13.560M-STD-CSF-6

If you have any queries concerning our standard frequencies and numbers for specifying orders, please contact our sales representatives or visit our homepage (<http://www.ndk.com/>).

### ■ Dimensions



\*1 Equivalent Series Resistance

Nominal frequency (MHz)	Equivalent Series Resistance max. [Ω]
4 to 5	300
5 to 8	250
8 to 9.5	200
9.5 to 10	120
10 to 12	100
12 to 13	80
13 to 40	50